



UK DISTRIBUTORS OF
REINHARDT-TECHNIK
 Metering & Mixing
 Dispensing Systems



Bonham Drive, Eurolink Industrial Estate
 Sittingbourne, Kent. ME10 3RY
 Tel 01795 427888 Fax 01795 479685
 Email sales@eurobond-adhesives.co.uk
 Web www.eurobond-adhesives.co.uk

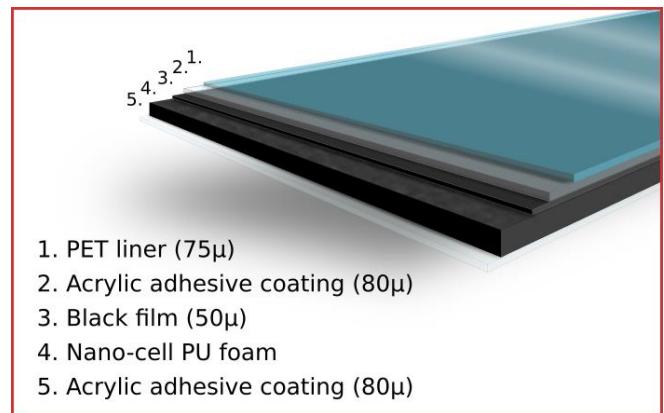
EB100B MultiSeal® PRO – Sealing Tape Technical data sheet

Product description

- Double sided nano-cell polyurethane foam.
- High quality UV cured acrylic pressure sensitive cross-linked adhesive.
- Excellent all round performance in the most demanding of applications.

Construction

- PET liner (75µ)
- Acrylic adhesive (80µ)
- Black film (50µ)
- Nano-cell PU foam (790µ)
- Acrylic adhesive (80µ)



Technical data

Item	Unit		Spec		Test Method
Foam Thickness	µm	In	790	.0311	ASTM D3574
Total Thickness	µm	In	1000	.0394	ASTM D3574
Foam Density	kg/m ³	lb/ft ³	250 ± 50	15.607	ASTM D3574
Compression Set (@ 70°C & 22hrs)	%	-	50	-	ASTM D3574
Max Strain	%	-	61.7	-	ASTM D3574
Hardness	Shore C	-	45	-	ASTM D3574
Temperature Resistance (Short Term)	°C	°F	121	250	-
Tempertaure Resistance (Long Term)	°C	°F	93	199	-

Application

Cushioning, gaskets, sealing, shock absorbency, anti-rattle applications.

Note:

Unless stated otherwise all values given are average. All of the tapes in our range should be thoroughly tested on the substrates in the particular application they are intended for. Eurobond Adhesives Ltd will not be responsible for product failure unless full testing has been completed. The customer has to decide on the tapes suitability for the intended application.

